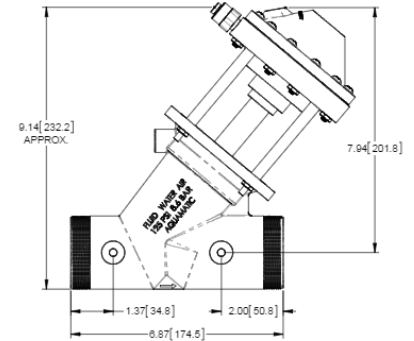


# AquaMatic® Valve K55

1/2-inch to 2-inch "Y" pattern isolated bonnet diaphragm valves  
Glass-filled thermoplastic body and cap

This product is manufactured in the United States of foreign and domestic parts.



## Features & Benefits

- Large Seat opening and high lift-disc for higher flow rates at a lower pressure loss
- Isolated bonnet feature physically separates line fluid from control fluid eliminating potential to contaminate control lines with corrosive fluids
- Failsafe closed options available to keep valve closed against 30, 60, or 100 psi line pressures without control pressure
- Pre-formed, stress relieved diaphragm minimizes fatigue, maximizes valve responsiveness and diaphragm lifetime
- All internal parts in contact with media are made of composite materials
- Can be actuated with either air or water as control fluid
- Designed for water treatment applications including those requiring acids, caustic and harsh chemicals that would rapidly corrode metal valves

## Accessories & Options

- Seal and diaphragm materials available
- Spring assist (open or closed)
- Normally open or failsafe closed
- Flow control limit stop

16605 West Victor Rd. New Berlin, WI 53151 | P: 262-326-0100 | [www.aq-matic.com](http://www.aq-matic.com) | [techsupport@aq-matic.com](mailto:techsupport@aq-matic.com)

© 2016 AQ Matic Valve and Controls Company, Inc. All rights reserved.

All AQ Matic trademarks and logos are owned by AQ Matic or its affiliates. All other registered and unregistered trademarks and logos are the property of their respective owners. Because we are continuously improving our products and services, AQ Matic reserves the right to change specifications without prior notice. AQ Matic is an equal opportunity employer.